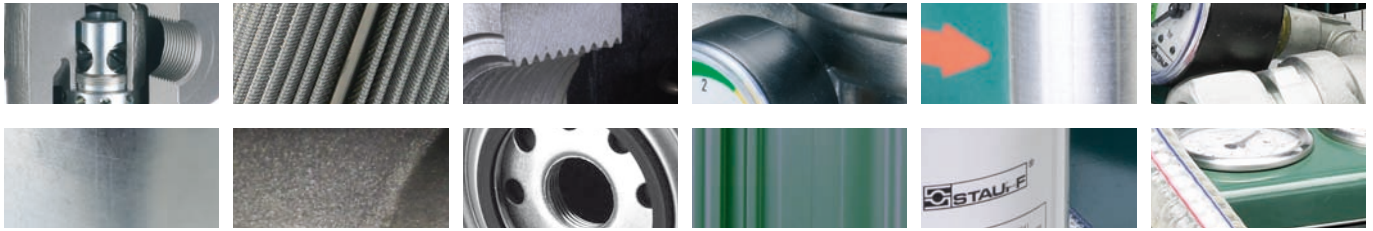




Local Solutions For Individual Customers Worldwide



Mobile Filter Systems
SMFS-P and SMFS-U
Product Catalogue



STAUFF Filtration Technology offers a complete range of filtration products and services. This will provide the system designer or user with the highest level of contamination control demanded by today's most sophisticated applications.

STAUFF Filtration Technology Products include Pressure Filters, Return-Line Filters, Elements, Spin-On Filters, Suction Strainers and Filler Breathers for various hydraulic, lubrication and fuel oils.

STAUFF has the technical expertise to provide superior filter element designs for the STAUFF original filter

housings and also for the interchange element market. STAUFF manufactures more than 10000 different elements.

Many of these are designed to fit into filter housings produced by other companies while maintaining or surpassing the original performance.

A well-stocked warehouse guarantees the possibility of short-term arrangements without their own storage. Therefore, we can react flexible for your specific needs.

The "STAUFF Contamination Control Program" comprised the diagnostic services including fluid sampling and laser particle

counting products for monitoring the system contamination level.

In addition STAUFF offers a range of software solutions for element interchange and filter calculation. All products are subject to the audits in reference to international standards. This ensures a consistently high standard of quality.

Please do not hesitate to contact STAUFF for further details.

www.stauff.com

STAUFF Mobile Filter Units

SMFS-P-015


Features

- Portable hand-held unit
- High-quality gear pump
- Nominal flow rate up to 15 l/min / 4 US GPM
- 2 motor versions: 230 V 50 Hz or 400 V 50 Hz
- Micron rating available from 3 ... 125 µm
- Weight: approx. 23 kg / 51 lbs
- also available with a blank filter element for the reason of used oil to be removed from the hydraulic reservoir

Index

Product Description	4
Technical Data	4
Dimensions / Order Codes	5

Accessories

▪ Replacement Filter Elements	5
▪ Visual Clogging Indicator	10
▪ Lance	10

SMFS-U-030


Features

- Mobile filtration system
- High-quality gear pump
- Nominal flow rate up to 30 l/min / 8 US GPM
- 2 motor versions: 230 V 50 Hz or 400 V 50 Hz
- Weight: approx. 46 kg / 101 lbs
- Micron rating available from 3 ... 125 µm
- also available with a blank filter element for the reason of used oil to be removed from the hydraulic reservoir

Index

Product Description	6
Technical Data	6
Dimensions / Order Codes	7

Accessories

▪ Replacement Filter Elements	7
▪ Visual Clogging Indicator	10
▪ Lance	10

SMFS-U-060 / 110


Features

- Mobile filtration system
- High-quality gear pump
- Nominal flow rate up to 60 l/min / 15 US GPM or 110 l/min / 30 US GPM
- Micron rating available from 3 ... 25 µm
- Weight: approx. 87 kg / 192 lbs or 130 kg / 287 lbs

Index

Product Description	8
Technical Data	8
Dimensions / Order Codes	9

Accessories

▪ Replacement Filter Elements	9
▪ Visual Clogging Indicator	11

Also available ...



STAUFF America: STAUFF Portable Filter Cart SCFC-05 / 10

Features

- High-quality gear pump
- Nominal flow rate up to 38 l/min / 10 US GPM
- 3 motor versions: 110 V / 230 V / 400 V
- Micron rating available from 3 ... 144 µm
- Weight: approx. 53 kg / 117 lbs



STAUFF America: STAUFF Portable Filter Cart SPFC-10

Features

- High-quality gear pump
- Nominal flow rate up to 38 l/min / 10 US GPM
- 3 motor versions: 110 V / 230 V / 400 V
- Micron rating available from 3 ... 144 µm
- Weight: approx. 86 kg / 189 lbs



STAUFF Australia: STAUFF Portable Filter Cart SPFC

Features

- High-quality gear pump
- Nominal flow rate up to 23 l/min / 6 US GPM
- Magnetic core pre-filtration
- Micron rating 10 µm
- Weight: approx. 53 kg / 117 lbs

Portable Filtration System ■ Type SMFS-P-015



Product Description

The SMFS-P-015 supplement the range of products, which is a portable hand-held filtration system. Due to it's compact and light-weight design, it can be used very flexible and consistently provides best filtration performance at the same time.

Technical Data

Dimensions

- BxTxH: 250 mm x 450 mm x 485 mm
9.84 in x 17.71 x 19.09 in
- Weight: approx. 23 kg / 51 lbs

Media

- suitable for mineral oils, other fluids on request

Flow

- 15 l/min / 4 US GPM

Temperature

- Media temp.: -15 °C ... +50 °C / +5 °F ... +122 °F
- Ambient temp.: -20 °C ... +50 °C / -4 °F ... +122 °F

Viscosity

- admissible: 10 ... 400 mm²/sec / 10 ... 400 cSt
- recommended: 25 mm²/sec / 25 cSt

Pressure

- Operating pressure: 2 bar / 29 PSI
- Bypass opening pressure (integrated in pump):
3 bar / 43.5 PSI
- Test pressure: 12 bar / 174 PSI

Framework

- Material: phosphated and epoxy-coated Steel

Hoses

- Material: PVC, reinforced with internal wire wrapping
- Length: 1,5 m / 4.92 ft on the suction side and 2 m / 6.56 ft on the pressure side
- Dimensions
 - on suction side: DN 20
 - on pressure side: DN 12

Pump

- Gear pump

Motors

- 230V: CE-certified motor unit (230 VAC @ 50 Hz - 1 phase) with Schuko-plug according to CEE 7/7 (Association of plug type E and Schuko (type EF))
- 400V: CE-certified motor unit (400 VAC @ 50 Hz - 3 phases) with plug CEE 16A 3P+N+G
- Protection class IP 55

Accessories

Replacement Filter Elements

- Filter elements of the Spin-On series SFC-35/36
- Micron rating available from 3 ... 125 µm
- also available with a blank filter element (SFC-3500) for the reason of used oil to be removed from the hydraulic reservoir

Clogging Indicator

- STAUFF Clogging Indicator SIM 04

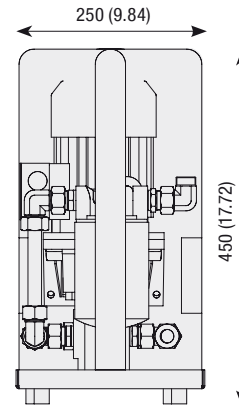
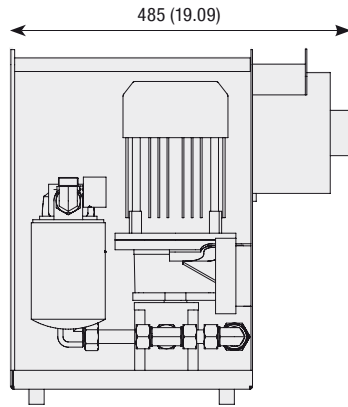
Lance

- available length 150 mm / 5.91 in
- other lengths on request

Hose

- available lengths:
 - 1,5 m / 4.92 ft incl. ports
 - 2 m / 6.56 ft incl. ports

Dimensions ■ Type SMFS-P-015



Dimensions in mm (inch).

Order Codes ■ Type SMFS-P-015

SMFS - P - 015 - G - 3510AE - B - M - E - L

1 2 3 4 5 6 7 8 9

1 Series

 Mobile Filter Unit **SMFS**
2 Type

 Portable filtration system (hand-held unit) **P**
3 Flow

 15 l/min / 4 US GPM **015**
4 Pump

 Gear pump **G**
5 Filter Elements SFC...

Filter elements	Length (mm/in)	Code
Without		3500
Inorganic Glass Fibre 3 µm	145 / 5.7	3503AE
Inorganic Glass Fibre 3 µm	190 / 7.5	3603AE
Inorganic Glass Fibre 10 µm	145 / 5.7	3510AE
Inorganic Glass Fibre 10 µm	190 / 7.5	3610AE
Wire Mesh 60 µm	145 / 5.7	3560E
Wire Mesh 60 µm	190 / 7.5	3660E
Brass Mesh 125 µm	145 / 5.7	35125E
Brass Mesh 125 µm	190 / 7.5	36125E

6 Sealing Material

 NBR (Buna-N®) **B**
7 Clogging Indicator

 Visual Pressure Clogging Indicator SIM 04 **M**
8 Motor Configuration

 230 V / 50 HZ / 1 phase (standard) **E**
 400 V / 50 HZ / 3 phases **F**
9 Lance

 150 mm / 5.9 in **L1**
 On request **L2**

Replacement Filter Elements ■ Type SFC-35/36

Order Codes

SFC - 3510E

1 2

1 Series

 Replacement Filter Elements **SFC**
2 Filter Elements

Filter elements	Length (mm/in)	Code
Without		3500
Inorganic Glass Fibre 3 µm	145 / 5.7	3503AE
Inorganic Glass Fibre 3 µm	190 / 7.5	3603AE
Inorganic Glass Fibre 10 µm	145 / 5.7	3510AE
Inorganic Glass Fibre 10 µm	190 / 7.5	3610AE
Wire Mesh 60 µm	145 / 5.7	3560E
Wire Mesh 60 µm	190 / 7.5	3660E
Brass Mesh 125 µm	145 / 5.7	35125E
Brass Mesh 125 µm	190 / 7.5	36125E

Product Description

For further information and technical data on the Replacement Filter Elements type SFC-35/36 please see our general product catalogue STAUFF ONE, section Filtration Technology on page C135.



Mobile Filtration System ■ Type SMFS-U-030



Product Description

The SMFS-U-030 is a mobile filtration system mounted on a robust steel frame push cart, which means the perfect compromise between flexibility on the one hand and highest nominal flow rates on the other hand.

Technical Data

Dimensions

- WxDxH: 620 mm x 610 mm x 1125 mm
24.41 in x 24.02 in x 44.29 in
- Weight: approx. 46 kg / 101 lbs

Media

- suitable for mineral oils, other fluids on request

Flow

- 30 l/min / 7.5 US GPM

Temperature

- Media temp.: -15 °C ... +50 °C / +5 °F ... +122 °F
- Ambient temp.: -20 °C ... +50 °C / -4 °F ... +122 °F

Viscosity

- admissible: 10 ... 400 mm²/sec / 10 ... 400 cSt
- recommended: 25 mm²/sec / 25 cSt

Pressure

- Operating pressure: 2 bar / 29 PSI
- Bypass opening pressure (integrated in pump):
3 bar / 43.5 PSI
- Test pressure: 12 bar / 174 PSI

Framework

- Material: phosphated and epoxy-coated Steel

Hoses

- Material: PVC, reinforced with internal wire wrapping
- Length: 2 x 3 m / 9.84 ft on the suction and pressure side
- Dimensions
 - on suction side: DN 20
 - on pressure side: DN 12

Pump

- Gear pump

Motors

- 230V: CE-certified motor unit (230 VAC @ 50 Hz - 1 phase)
with Schuko-plug according to CEE 7/7
(Association of plug type E and Schuko (type EF))
- 400V: CE-certified motor unit (400 VAC @ 50 Hz - 3 phases)
with plug CEE 16A 3P+N+G
- Protection class IP 55

Accessories

Replacement Filter Elements

- Filter elements of the Spin-On series SFC-57/58
- Micron rating available from 3 ... 125 µm
- also available with a blank filter element (SFC-5700) for the reason of used oil to be removed from the hydraulic reservoir

Clogging Indicator

- STAUFF Clogging Indicator SIM 04

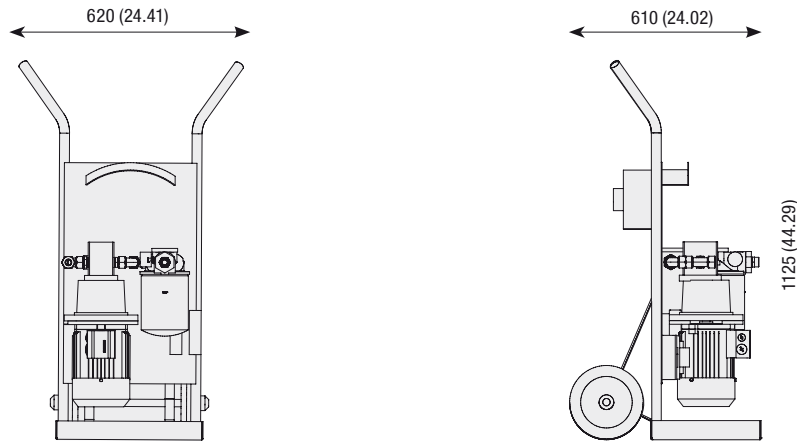
Lance

- available length 650 mm / 25.59 in
- other lengths on request

Hose

- available length:
- 3 m / 9.84 ft incl. port

Dimensions ■ Type SMFS-U-030



Dimensions in mm (inch).

Order Codes ■ Type SMFS-U-030

SMFS - U - 030 - G - 5710AE - B - M - E - L

1 2 3 4 5 6 7 8 9

1 Series

 Mobile Filter Unit **SMFS**
2 Type

 Mobile filtration system **U**
3 Flow

 30 l/min / 7.5 US GPM **030**
4 Pump

 Gear pump **G**
5 Filter Elements SFC...

Filter elements	Length (mm/in)	Code
Without		5700
Inorganic Glass Fibre 3 µm	180 / 7.1	5703AE
Inorganic Glass Fibre 3 µm	226 / 8.9	5803AE
Inorganic Glass Fibre 10 µm	180 / 7.1	5710AE
Inorganic Glass Fibre 10 µm	226 / 8.9	5810AE
Wire Mesh 60 µm	180 / 7.1	5760E
Wire Mesh 60 µm	226 / 8.9	5860E
Brass Mesh 125 µm	180 / 7.1	57125E
Brass Mesh 125 µm	226 / 8.9	58125E

6 Sealing Material

 NBR (Buna-N®) **B**
7 Clogging Indicator

 Visual Pressure Clogging Indicator SIM 04 **M**
8 Motor Configuration

 230 V / 50 HZ / 1 phase **E**
 400 V / 50 HZ / 3 phases **F**
9 Lance

 650 mm / 25.59 in **L1**
 On request **L2**

Replacement Filter Elements ■ Type SFC-57/58

Order Codes

SFC - 5710AE

1 2

1 Series

 Replacement Filter Elements **SFC**
2 Filter Elements

Filter elements	Length (mm/in)	Code
Without		5700
Inorganic Glass Fibre 3 µm	180 / 7.1	5703AE
Inorganic Glass Fibre 3 µm	226 / 8.9	5803AE
Inorganic Glass Fibre 10 µm	180 / 7.1	5710AE
Inorganic Glass Fibre 10 µm	226 / 8.9	5810AE
Wire Mesh 60 µm	180 / 7.1	5760E
Wire Mesh 60 µm	226 / 8.9	5860E
Brass Mesh 125 µm	180 / 7.1	57125E
Brass Mesh 125 µm	226 / 8.9	58125E

Product Description

For further information and technical data on Replacement Filter Elements type SFC-57/58 please see our general product catalogue STAUFF ONE, section Filtration Technology on page C136.



Mobile Filtration System ■ Types SMFS-U-060 / -110



SMFS-U-060



SMFS-U-110

Product Description

STAUFF manufactures a complete range of mobile filtration systems. Compact in design and easy to operate on the one hand, but also made for permanent use with high flow rates on the other hand, STAUFF mobile filtration systems are essential tools for the preventive maintenance either to transfer new oil or to purify hydraulic and lubrication oil systems.

Technical Data

Dimensions

- WxDxH: 620 mm x 954 mm x 935 mm
24.41 in x 37.56 x 36.81 in
- Weight:
 - SMFS-U-060: 87 kg / 192 lbs
 - SMFS-U-110: 130 kg / 287 lbs

Media

- suitable for mineral oils, other fluids on request

Flow

- SMFS-U-060: 60 l/min / 15 US GPM
- SMFS-U-110: 110 l/min / 30 US GPM

Temperature

- Media temp.: -20 °C ... +60 °C / -4 °F ... +140 °F
- Ambient temp.: -20 °C ... +40 °C / -4 °F ... +104 °F

Viscosity

- admissible: 12 ... 800 mm²/sec / 12 ... 800 cSt
- recommended (at continuous exposure):
20 ... 100 mm²/sec / 20 ... 100 cSt

Pressure

- Operating pressure: max. 4 bar / max. 58 PSI
- Suction pressure: max. -0,4 bar / max. -6 PSI
- Bypass opening pressure (integrated in pump):
 - SMFS-U-060: 5 bar / 73 PSI
 - SMFS-U-110: 10 bar / 145 PSI
- Burst pressure:
 - on suction side: 11 bar / 160 PSI
 - on pressure side: 15 bar / 218 PSI
- Test pressure: 24 bar / 348 PSI

Framework

- Material: phosphated and epoxy-coated Steel

Hoses

- Material: PVC, reinforced with internal wire wrapping
- Length: 3 m / 9.84 ft on the suction and pressure side
- Dimensions:
 - on suction side: SMFS-U-060: DN 35
SMFS-U-110: DN 38
 - on pressure side: SMFS-U-060: DN 25
SMFS-U-110: DN 25

Pump

- Gear pump

Pre-filter

- SMFS-U-060: SF-6791 (Standard option)

Motor

- CE-certified motor unit (400 VAC @ 50 Hz - 3 phases)
- Power consumption:
 - SMFS-U-060: 0,75 kW
 - SMFS-U-110: 4 kW
- Protection class IP 55
- Plug CEE 16A 3P+N+G

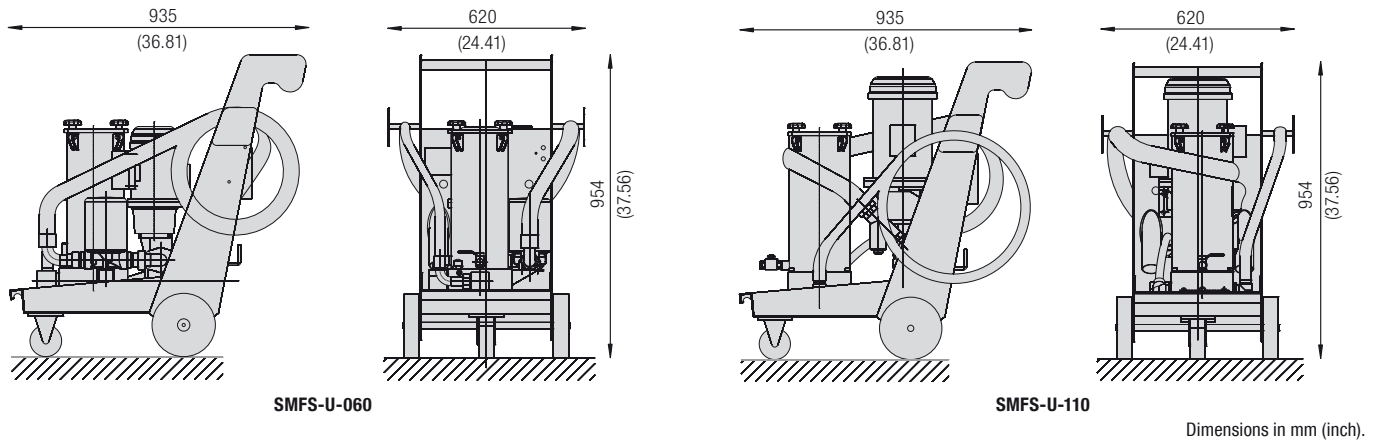
Accessories

Replacement Filter Elements

- Filter elements of type NR
- Micron rating available from 3 ... 25 µm
- also available: Pre-filter SF-57125 (only for SMFS-U-60)

Clogging Indicator

- STAUFF Clogging Indicator HI

Dimensions ■ Types SMFS-U-060 / -110


Dimensions in mm (inch).

Order Codes ■ Types SMFS-U-060 / -110
SMFS - U - 060 - G - E10 - B - VT - F

1 2 3 4 5 6 7 8

1 Series

 Mobile Filter Unit **SMFS**
2 Type

 Mobile filtration system **U**
3 Flow

 60 l/min / 15 US GPM **060**
 110 l/min / 30 US GPM **110**
4 Pump

 Gear pump **G**
5 Filter Elements NR...

Filter elements	Code
Without	...
Inorganic Glass Fibre 3 µm	E03
Inorganic Glass Fibre 6 µm	E06
Inorganic Glass Fibre 10 µm	E10
Inorganic Glass Fibre 16 µm	E16
Inorganic Glass Fibre 25 µm	E25

6 Sealing Material

 NBR (Buna-N®) **B**
 Other sealing material on request.

7 Clogging Indicator

Plug	0
Visual, automatic reset	A
Visual, manual reset	V
Visual, automatic reset and thermostop	AT
Visual, manual reset and thermostop	VT

8 Motor Configuration

 400 V / 50 HZ / 3 phases **F**
 Other configurations on request.

Replacement Filter Elements ■ Types NR-630, SFC-57 and SF67
Product Description NR-630

 All STAUFF Inorganic Glass Fibre filter elements are designed to achieve β -value ≥ 200 at their rated micron rating.

Product Description SFC-57/SF67 (only for SMFS-U-060)

Spin-On filter elements for pre-filtration. Filter element belongs to the standard option of the SMFS-U-60.

Order Codes
NR-630 E10 - B

1 2 3

1 Series

 Replacement Filter Elements **NR**
2 Filter Elements

Filter elements	Code
Inorganic Glass Fibre 3 µm	E03
Inorganic Glass Fibre 6 µm	E06
Inorganic Glass Fibre 10 µm	E10
Inorganic Glass Fibre 16 µm	E16
Inorganic Glass Fibre 25 µm	E25

3 Sealing Material

 NBR (Buna-N®) **B**
 Other sealing material on request.

Order Codes
SFC - 57125E

1 2

1 Series

 Replacement Filter Elements **SFC / SF**
2 Filter Elements

Filter elements	Length (mm/in)	Code
Brass Mesh 125 µm	180 / 7.1	57125E
Stainless Wire Mesh 144 µm	270 / 10.6	6791E

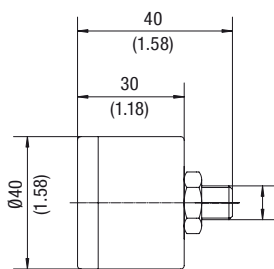


NR-630

SFC-57 / SF67

Note: For further information and technical data please see our general product catalogue STAUFF ONE, section Filtration Technology on pages C136 and C137.

STAUFF Visual Clogging Indicator - Type SIM 04



Dimensions in mm (inch).

Technical Data

Visual Pressure Clogging Indicator

Connection thread: G1/8
 Unit of scale: bar
 Range of scale: 0 ... 4 bar

Coloured Segments

- Green: 0 ... 2,5 bar
 - Yellow: 2,5 ... 3 bar
 - Red: 3 ... 4 bar

Material for movement and pressure element: Brass.

For further information and technical data on Clogging Indicators please see our general product catalogue STAUFF ONE, section Filtration Technology on page C143.

STAUFF Lance



Order Codes

SMFS-P-Lanze - L1

1

2

1 Type	STAUFF Lance	SMFS-P-Lanze
2 Length	Length (mm/in)	Code
	150 / 5.9	L1
	Other lengths on request	L2

SMFS-U-Lanze - L1

1

2

1 Type	STAUFF Lance	SMFS-U-Lanze
2 Length	Length (mm/in)	Code
	650 / 25.59	L1
	Other lengths on request	L2

STAUFF Hose



Order Codes

SMFS-P-Set-Schlauch

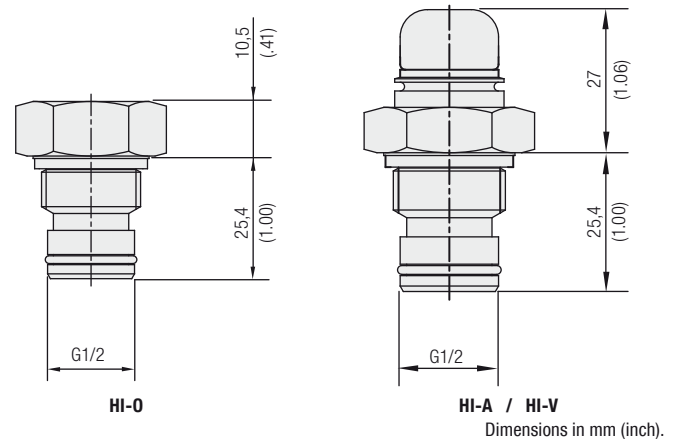
1

1 Type	STAUFF Hose	SMFS-P-Set-Schlauch
2 Length	1,5 m / 4.92 ft / 2 m / 6.56 ft incl. ports	

SMFS-U-Set-Schlauch

1

1 Type	STAUFF Hose	SMFS-U-Set-Schlauch
2 Length	3 m / 9.84 ft incl. ports	

STAUFF Clogging Indicator - Typ HI

Product Description

Clogging Indicators are available for STAUFF Mobile Filtration Systems SMFS-U-060 / -110. If no indicator is specified, the port is sealed by a plug (HI-0). The clogging indicators are actuated by the differential pressure across the element.

The special piston design minimizes the effects of peak pressures in the system. An optional thermostatic lockout (thermostop) is available to prevent false indication under cold start conditions. Fluid temperature must be at least +20 °C / +68 °F for the indicator to function.

Technical Specifications

Body:	Stainless Steel
Sealing:	NBR (Buna-N®) (others on request) Seal 18,5 mm x 23,9 mm x 9x2 mm / .73 in x .94 x .08 in O-Ring 15,5 mm x 1,5 mm / .61 in x .06 in
Thread:	G1/2
Differential pressure setting:	2,5 _{-0,5} bar / 36,3 _{-7,25} PSI (others on request)

Configurations

The visual clogging indicators are available in the following configurations:

- **Manual Reset:** The indicators continues to display the clogged signal even through the Δp may have fallen. Pressing the plastic cover down will reset the indicator.
- **Automatic Reset:** The clogged signal will diappear when the Δp drops below the setting for the indicator.

For further information please see our general product catalogue STAUFF ONE, section Filtration Technology Technology on page C36.

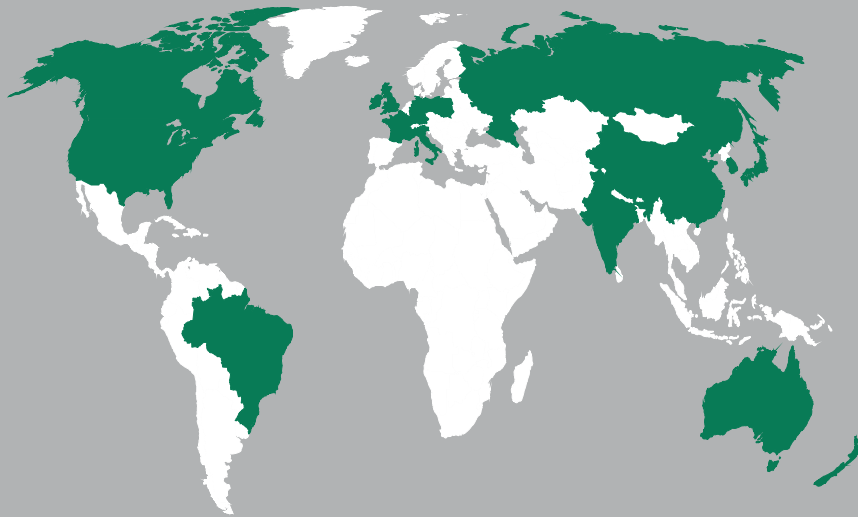
Order Codes

HI	-	O	-	T	-	B	-	2,5B	/	X
1		2		3		4		5		6

<p>1 Series</p> <table border="0" style="width: 100%;"> <tr> <td style="background-color: #e0e0e0; padding: 2px;">Clogging Indicator</td> <td style="padding: 2px;">HI</td> </tr> </table>	Clogging Indicator	HI	<p>3 Thermostop</p> <table border="0" style="width: 100%;"> <tr> <td style="background-color: #e0e0e0; padding: 2px;">Without thermostop</td> <td style="padding: 2px;">ohne</td> </tr> <tr> <td style="background-color: #e0e0e0; padding: 2px;">With thermostop</td> <td style="padding: 2px;">T</td> </tr> </table>	Without thermostop	ohne	With thermostop	T	<p>5 Differential Pressure Setting</p> <table border="0" style="width: 100%;"> <tr> <td style="background-color: #e0e0e0; padding: 2px;">2,5 bar / 36.3 PSI (standard option)</td> <td style="padding: 2px;">2,5B</td> </tr> </table>	2,5 bar / 36.3 PSI (standard option)	2,5B						
Clogging Indicator	HI															
Without thermostop	ohne															
With thermostop	T															
2,5 bar / 36.3 PSI (standard option)	2,5B															
<p>2 Indicator Type</p> <table border="0" style="width: 100%;"> <tr> <td style="background-color: #e0e0e0; padding: 2px;">Plug</td> <td style="padding: 2px;">O</td> </tr> <tr> <td style="background-color: #e0e0e0; padding: 2px;">Visual, automatic reset</td> <td style="padding: 2px;">A</td> </tr> <tr> <td style="background-color: #e0e0e0; padding: 2px;">Visual, manual reset</td> <td style="padding: 2px;">V</td> </tr> </table>	Plug	O	Visual, automatic reset	A	Visual, manual reset	V	<p>4 Sealing Material</p> <table border="0" style="width: 100%;"> <tr> <td style="background-color: #e0e0e0; padding: 2px;">NBR (Buna-N®) (standard)</td> <td style="padding: 2px;">B</td> </tr> <tr> <td style="background-color: #e0e0e0; padding: 2px;">FPM (Viton®)</td> <td style="padding: 2px;">V</td> </tr> <tr> <td style="background-color: #e0e0e0; padding: 2px;">EPDM</td> <td style="padding: 2px;">E</td> </tr> </table>	NBR (Buna-N®) (standard)	B	FPM (Viton®)	V	EPDM	E	<p>6 Design Code</p> <table border="0" style="width: 100%;"> <tr> <td style="background-color: #e0e0e0; padding: 2px;">Only for information</td> <td style="padding: 2px;">X</td> </tr> </table>	Only for information	X
Plug	O															
Visual, automatic reset	A															
Visual, manual reset	V															
NBR (Buna-N®) (standard)	B															
FPM (Viton®)	V															
EPDM	E															
Only for information	X															



Local Solutions For Individual Customers Worldwide



AUSTRALIA

STAUFF Corporation Pty. Ltd.
P. O. Box 227
Wollongong, NSW, 2526
24-26 Doyle Avenue
Unanderra, Wollongong, NSW, 2526
Tel.: +61 2 4271 18 77
Fax: +61 2 4271 84 32
sales@stauff.com.au

BRAZIL

STAUFF Brasil Ltda.
Avenida Gupê 10767
Galpão 2 - Bloco A
Barueri - São Paulo
CEP 06422-120
Tel.: +55 11 47 72 72 00
Fax: +55 11 47 72 72 10
stauff@stauffbrasil.com

CANADA

STAUFF Canada Ltd.
866 Milner Avenue
Scarborough
Ontario M1B 5N7
Tel.: +1 416 282 46 08
Fax: +1 416 282 30 39
sales@stauffcanada.com

CHINA

STAUFF Hydraulic Components & Services Co., Ltd.
No. 41-42, Lane 369, Chuang Ye Road
Jushuo Industrial Zone, Kang Qiao
Shanghai, 201319
Tel.: +86 21 68 18 70 00
Fax: +86 21 68 18 71 36
info@stauff.com.cn

FRANCE

STAUFF S.A.S.
230, Avenue du Grain d'Or
Z.I. de Vineuil - Blois Sud
41354 Vineuil-cesdex
Tel.: +33 2 54 50 55 50
Fax: +33 2 54 42 29 19
direction@stauffsa.com

GERMANY

Walter Stauffenberg GmbH & Co. KG
P. O. Box 1745
58777 Werdohl
Im Ehrenfeld 4
58791 Werdohl
Tel.: +49 23 92 916 0
Fax: +49 23 92 916 160
sales@stauff.com

INDIA

STAUFF India Pvt. Ltd.
Gat. No. 2340
Pune Nagar Road, Wagholi
Pune, 412207
Tel.: +91 20 66 20 2473
Fax: +91 20 27 05 1567
sales@stauffindia.com

IRELAND

STAUFF Ireland Ltd.
Block B, 9 Ferguson Drive
Knockmore Hill Industrial Estate
Lisburn, County Antrim
BT28 2EX
Tel.: +44 2829 60 69 00
Fax: +44 2829 60 26 88
sales@stauffireland.com

ITALY

STAUFF Italia s.r.l.
Viale Nuova Valassina 78
angolo Via Baragiola sn
20832 Desio (MB)
Tel.: +39 0362 63 80 70
Fax: +39 0362 63 80 69
sales@stauff.it

KOREA

STAUFF Korea Ltd.
1500-12, Dadae-Dong
Saha-Ku
Pusan, 604-826
Tel.: +82 51 266 66 66
Fax: +82 51 266 88 66
info@stauff.co.kr

NEW ZEALAND

STAUFF Corporation (NZ) Ltd.
P. O. Box 58517
Greenmount, Auckland
Unit D, 103 Harris Road
East Tamaki, Auckland
Tel.: +64 9 271 48 12
Fax: +64 9 271 48 32
info@stauff.co.nz

POLAND

STAUFF Polska Sp. z o.o.
Miszewko 43 A
80-297 Banino
Tel.: +48 58 660 11 60
Fax: +48 58 629 79 52
sales@stauff.pl

RUSSIAN FEDERATION

STAUFF LLC
Building 1
19, Leninskaya Sloboda
Moscow, 115280
Tel.: +7 495 276 16 50
+7 495 223 89 61
Fax: +7 495 276 16 51
sales@stauff.ru

UNITED KINGDOM

STAUFF UK Ltd.
500, Carlisle Street East
Off Downgate Drive
Sheffield, S4 8BS
Tel.: +44 114 251 85 18
Fax: +44 114 251 85 19
sales@stauff.co.uk

UNITED STATES

STAUFF Corporation
7 Wm. Demarest Place
Waldwick, 07463-1542
New Jersey
Tel.: +1 201 444 78 00
Fax: +1 201 444 78 52
sales@stauffusa.com

Global available through wholly-owned branches and distributors in all industrial countries.

www.stauff.com